

SEMI AUTOMATIC

SYNTHESI

**MAINTENANCE FREE MACHINES
EASY TO BE INSTALLED**

Atlanta Stretch S.p.A - Italy
Atlanta Deutschland GmbH
Atlanta Iberica - Spain
Atlanta Packaging Ltd - UK
Atlanta France Sarl
Atlanta Stretch Australia
Atlanta Stretch Russia



ATLANTA
S T R E T C H

stretch wrapping machines specialist



www.atlantastretch.com

IT_ Synthesi si caratterizza per l'utilizzo e l'applicazione del film estensibile già prestirato e per le sue funzioni semplificate.

EN_ Synthesi is characterised by the use and application of already pre-stretch film and its simplified functions.

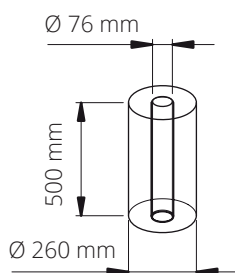
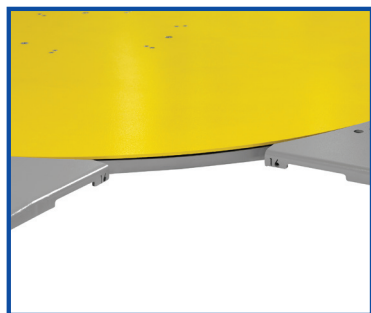
FR_ Synthési se caractérise pour l'utilisation et l'application de film pré-étiré et par ses fonctions simples mais complètes.

DE_ Synthesi wird durch den Gebrauch von Vorgedehnter Stretchfolien und das Bedienpult mit einfacher Funktionen gekennzeichnet.

ES_ Synthesi se caracteriza por la utilización y aplicación de film pre-estirado y por su simplificación de funciones.



OPTIONAL: LOW PROFILE



IT_ Basamento basso profilo per transpallet manuale.

EN_ Low profile basement for manual lifter.

FR_ Châssis extra fin pour transpalette manuel.

DE_ Flaches Drehtellergestell für Handhubwagen.

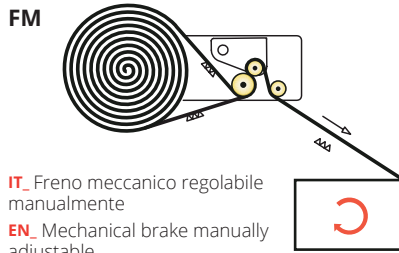
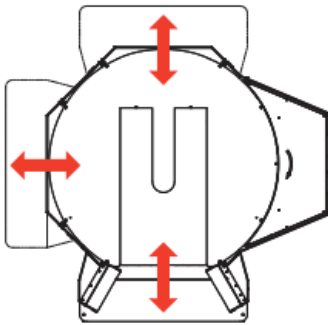
ES_ Base con perfil bajo especial para transpaletas.

Pallet dimension
Ø 1500 Max 800x1200 mm
Ø 1650 Max 1000x1200 mm

Pallet
Max weight 2000 kg



- IT_ Versione transpallet a 3 vie di carico.
- EN_ Transpallet version with 3 in feed.
- FR_ Version transpalette 3 voies.
- DE_ Ausführung Transpallet mit 3 ladenmöglichkeiten
- ES_ Version transpallet 3 posiciones de carga.



- IT_ Freno meccanico regolabile manualmente
- EN_ Mechanical brake manually adjustable.
- FR_ Frein mécanique sur rouleau de détournement ajustable manuellement.
- DE_ Mechanische Bremse auf Umlenkwalze.
- ES_ Fricción mecánica regulable manualmente.



Pallet dimension
 Ø 1650 1000x1200 mm
 Max height 2200 mm

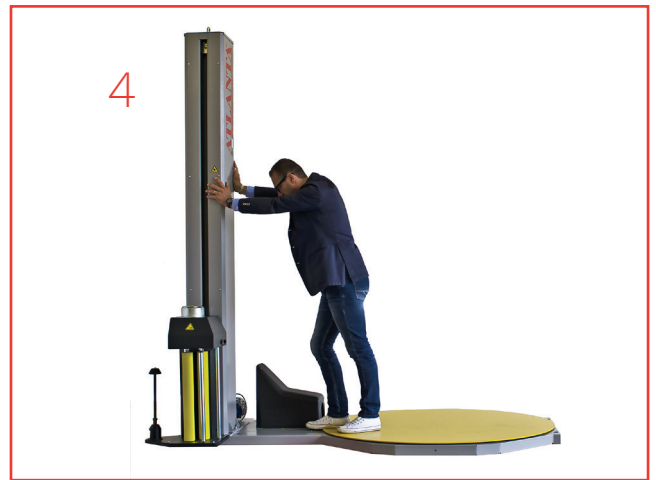
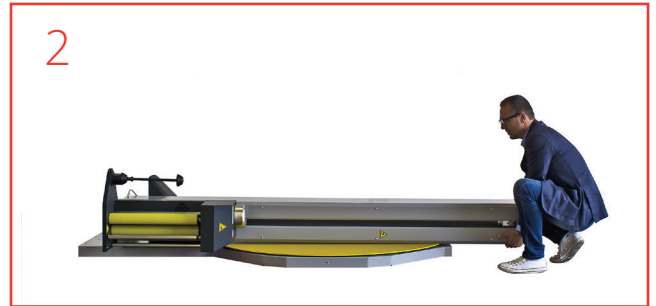
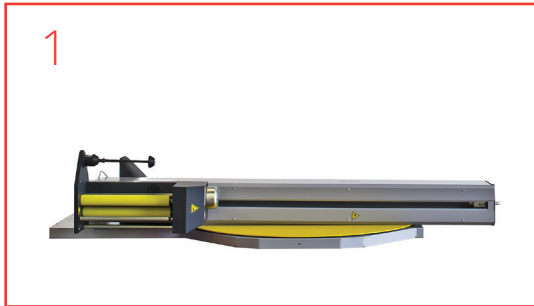
Pallet
 Max weight 1200 kg

SYNTHESI / SYNTHESI TP

TECHNICAL CHARACTERISTICS / BASIC MACHINE

Total installed power	1.00 Kw
Standard input voltage	230V mono-phase - 50/60 Hz
Electrical system and motors protection	IP 54
Standard pallet height	2200 mm
Max pallet dimensions	1000 x 1200 mm (TP 1000 x 1200 mm)
Max loading weight	2000 Kg (TP 1200 Kg)
Table diameter	ø 1500 / ø 1650 mm (TP ø 1650 mm)

EASY INSTALLATION



■ Atlanta Stretch S.p.A
Via Chiesa di Camerano, 30
47824 Poggio Torriana (Rimini) Italia
Tel. +39 0541 627145
Fax +39 0541 627220
www.atlantastretch.com
sales@atlantastretch.com

ATLANTA
S T R E T C H
stretch wrapping machines specialist